

PLEASE CHECK WWW.MOLEX.COM FOR LATEST PART INFORMATION

Part Number: [0885276100](#)
Status: **Active**
Overview: [fiber optic product families](#)
Description: FC/UPC-to-SC/UPC, Singlemode, 9/125µm/G652, Duplex, 3.00mm (.118"), Standard Fiber Optic Cable Assembly, 1.0m (3.28')

Documents:

[Drawing \(PDF\)](#) [RoHS Certificate of Compliance \(PDF\)](#)

General

Product Family	Fiber Optic Assemblies
Series	88527
Connector to Connector	FC/UPC-to-SC/UPC
Mode	Singlemode
Overview	fiber optic product families
Product Name	FC, SC

Physical

Cable Length	1.0m (3.28')
Cable Size	3.00mm (.118")
Fiber (Core/Cladding)	9/125µm/G652
Single Ended	No
Wire/Cable Type	Duplex

Material Info

Reference - Drawing Numbers

Sales Drawing	SD-88527-001
---------------	--------------

EU RoHS

RoHS Compliant by Exemption
REACH SVHC Not Reviewed
Halogen-Free Status Not Reviewed

China RoHS

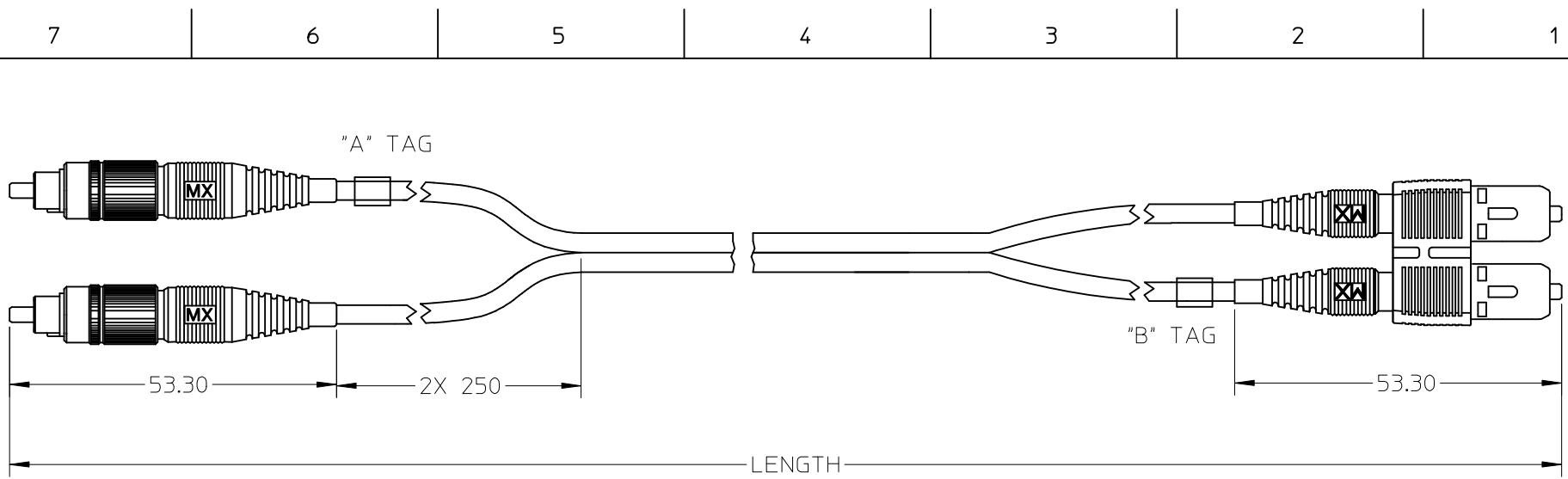


Need more information on product environmental compliance?

Email productcompliance@molex.com
 For a multiple part number RoHS Certificate of Compliance, [click here](#)

Please visit the [Contact Us](#) section for any non-product compliance questions.

Search Parts in this Series
[88527Series](#)



885276106	FC-SC DUP SM 3MM 7M	7000(+200/-0)
885276104	FC-SC DUP SM 3MM 5M	5000(+200/-0)
885276103	FC-SC DUP SM 3MM 10M	10000(+200/-0)
885276102	FC-SC DUP SM 3MM 3M	3000(+200/-0)
885276101	FC-SC DUP SM 3MM 2M	2000(+200/-0)
885276100	FC-SC DUP SM 3MM 1M	1000(+100/-0)
MX P/N	DESCRIPTION	LENGTH

NOTES:
 1. DUST CAPS ARE NOT SHOWN
 2. PER CHANNEL @ 1310nm
 IL <= 0.30dB
 RL > 50dB

ENTER DESCRIPTION EC NO: DG2009-0079 DRWN: XPCHEN CHKD: APPR: JOWANG	2008/11/10 2008/11/10 2008/11/12	DESCRIPTION REV	QUALITY SYMBOLS	GENERAL TOLERANCES (UNLESS SPECIFIED)	DIMENSION STYLE	SCALE	DESIGN UNITS	THIRD ANGLE PROJECTION
			$\blacktriangledown = 0$ $\triangle = 0$	mm INCH 4 PLACES \pm --- \pm --- 3 PLACES \pm --- \pm --- 2 PLACES \pm --- \pm --- 1 PLACE \pm --- \pm --- ANGULAR \pm ---°	MM ONLY	---	METRIC	
				DRAFT WHERE APPLICABLE MUST REMAIN WITHIN DIMENSIONS	DRAWN BY	DATE	TITLE	
					CHECKED BY	DATE	MOLEX INCORPORATED ENTER PART SD-88527-001	
					APPROVED BY	DATE		
								SHEET NO.
								1 OF 00